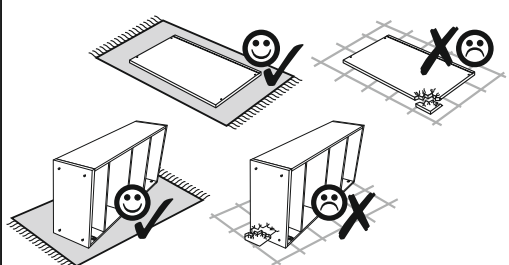
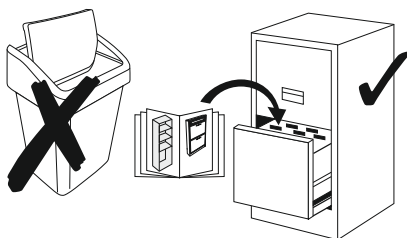
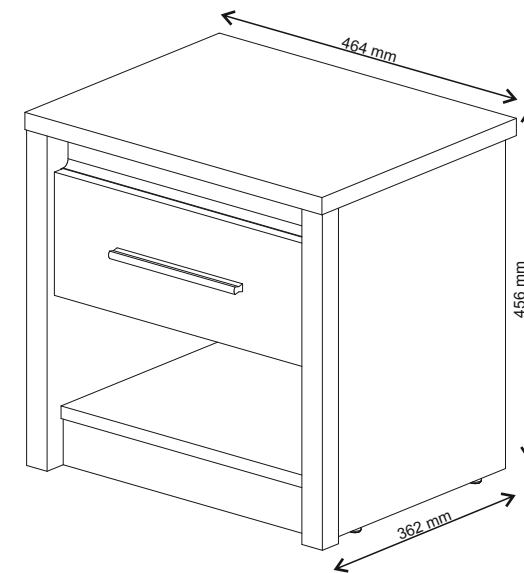
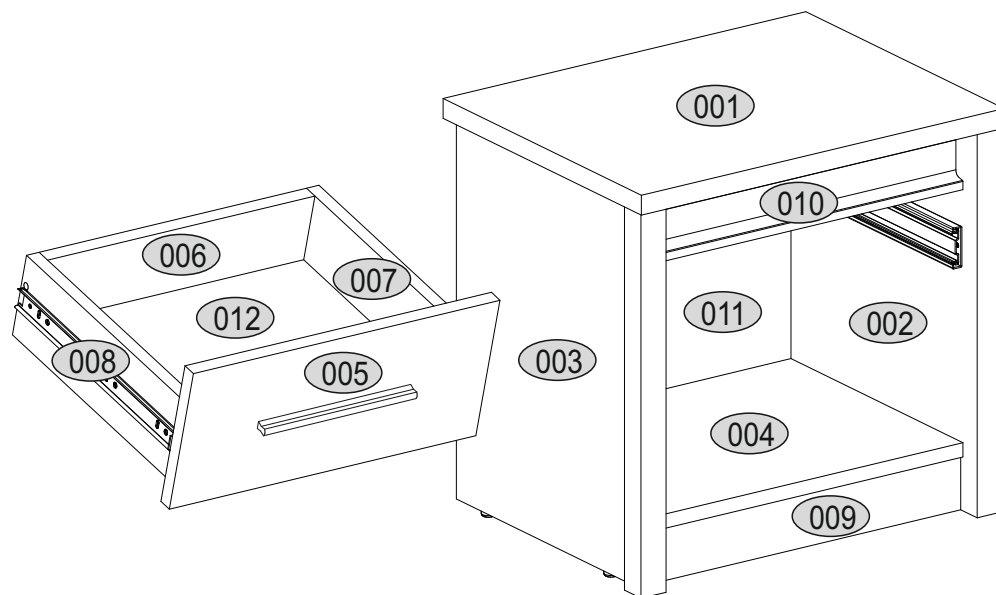
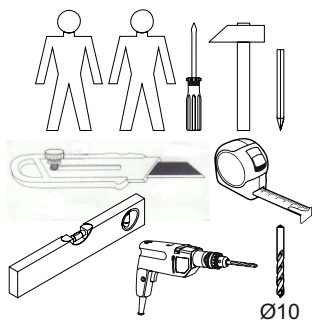
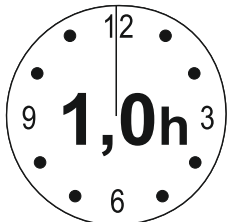








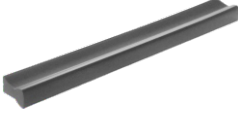


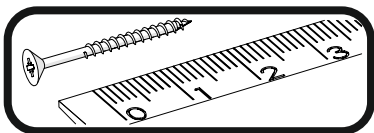
# Installation manual

AYSON: szafka nocna 1s

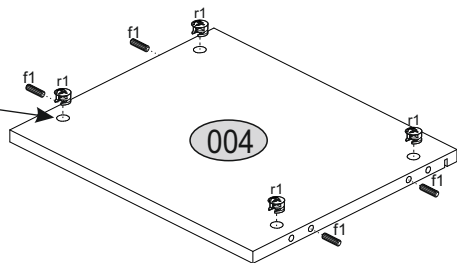
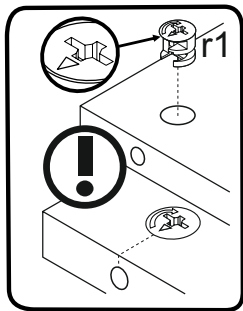
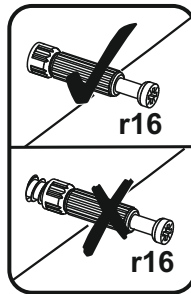
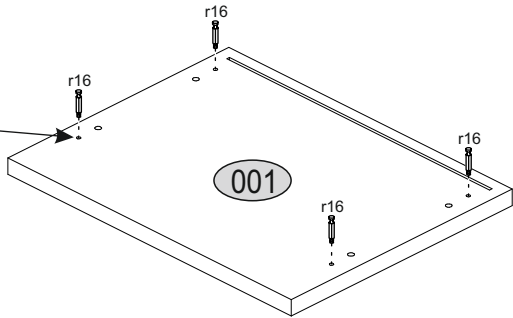
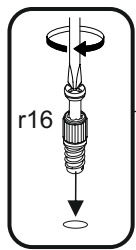


Code	Dimensions			Package	Package
001	464	362	22	1	1/1
002	428	360	16/32	1	1/1
003	428	360	16/32	1	1/1
004	398	334	16	1	1/1
005	392	157	16	1	1/1
006	342	100	16	1	1/1
007	300	100	16	1	1/1
008	300	100	16	1	1/1
009	398	60	16	1	1/1
010	398	60	30	1	1/1
011	370	416	3	1	1/1
012	360	302	3	1	1/1
accessories				1	1/1

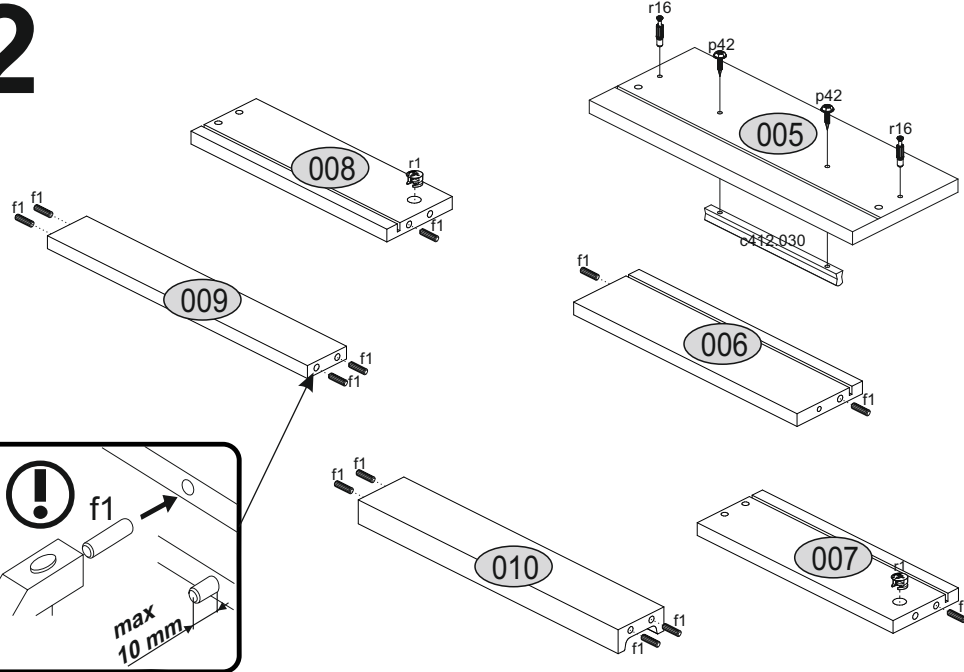
<p><b>x2</b> <b>e1</b></p> <p>Ø 7x50mm</p> 	<p><b>x10</b> <b>r1</b></p> <p>Ø 15x12mm</p> 	<p><b>x10</b> <b>r16</b></p> 	<p><b>x2</b> <b>s2</b></p> 
<p><b>x20</b> <b>f1</b></p> <p>Ø 8x30mm</p> 	<p><b>x1</b> <b>lb-L300</b></p> 	<p><b>x12</b> <b>p25</b></p> <p>Ø 3,5x16mm</p> 	<p><b>x4</b> <b>k1</b></p> 
<p><b>x1</b> <b>c412.030</b></p> 	<p><b>x2</b> <b>p42</b></p> <p>Ø 3,5x25mm</p> 	<p><b>x1</b> <b>z1</b></p> 	



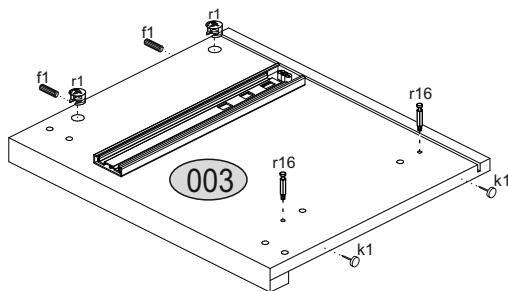
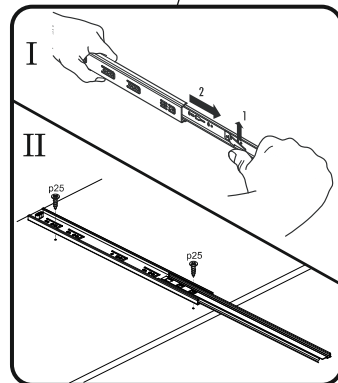
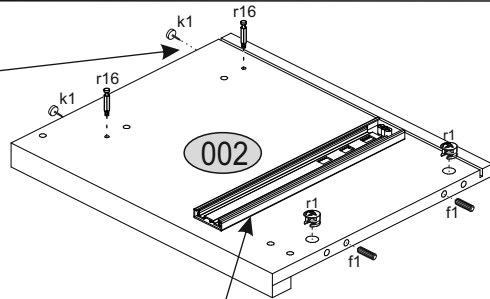
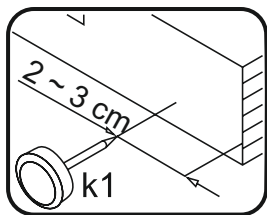
# 1



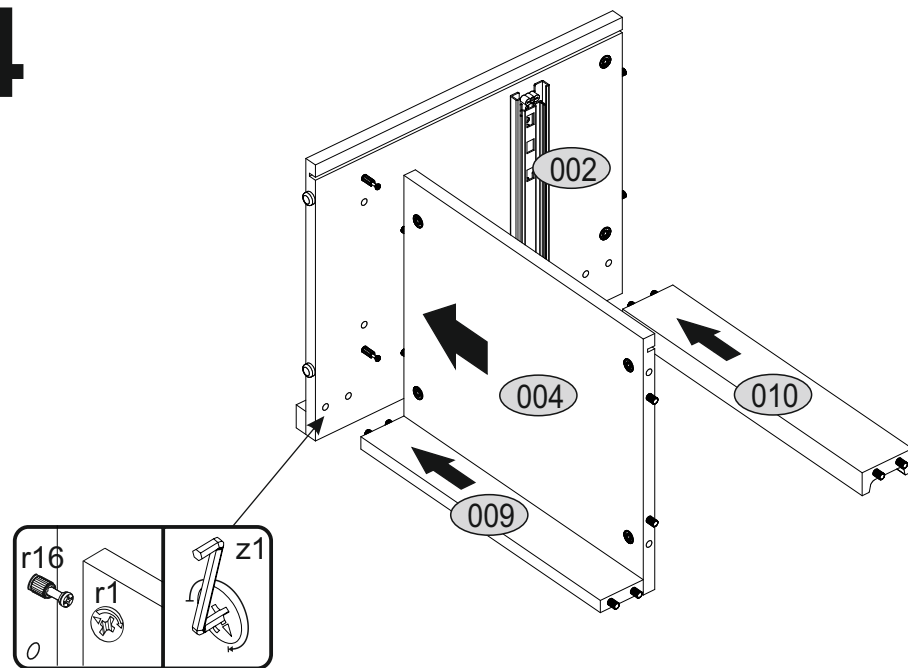
# 2



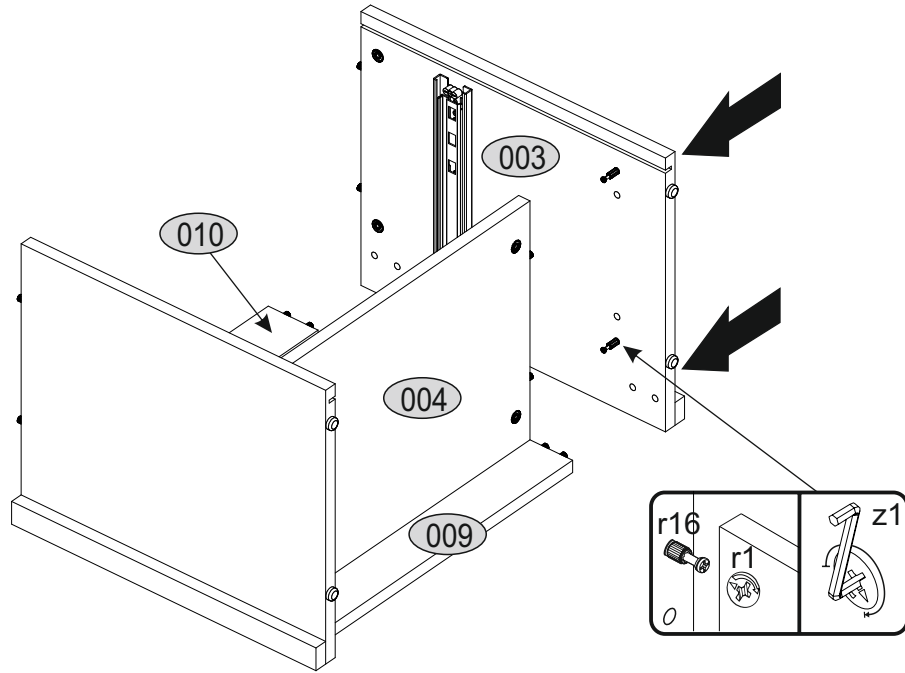
# 3



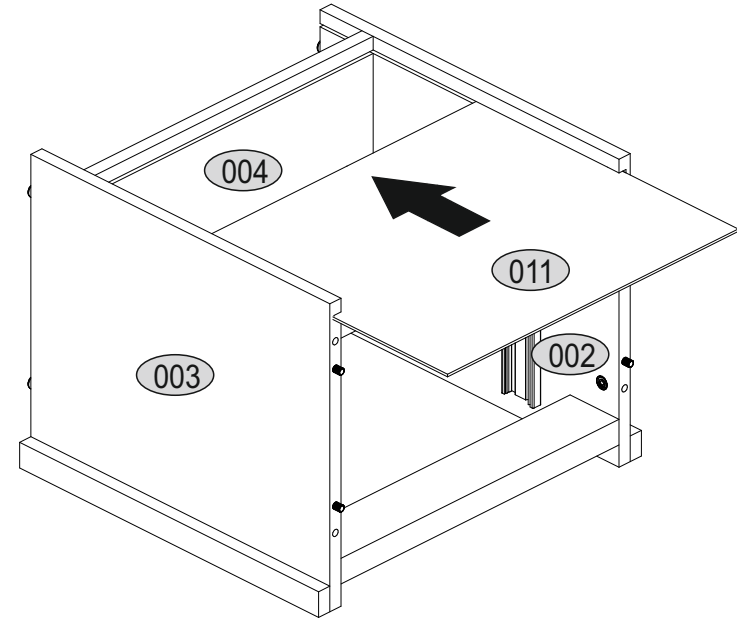
# 4



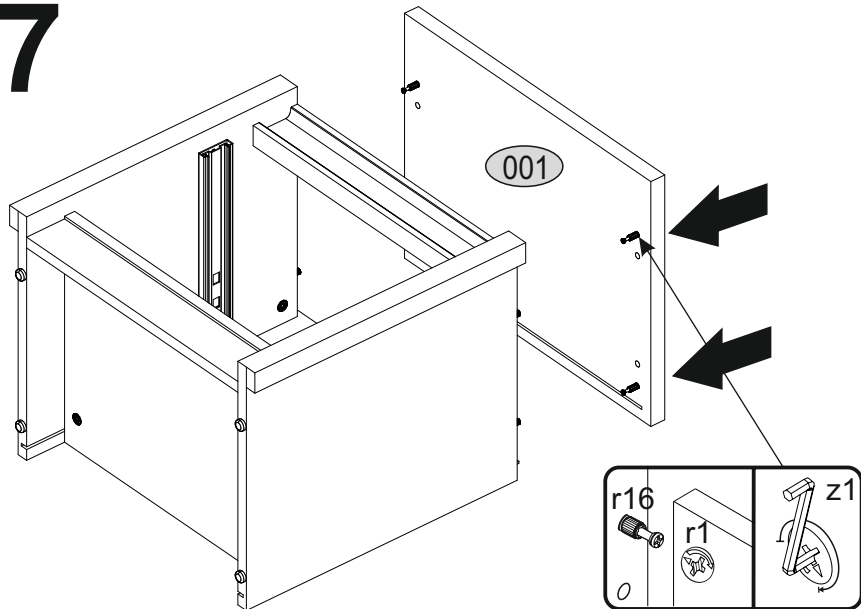
# 5



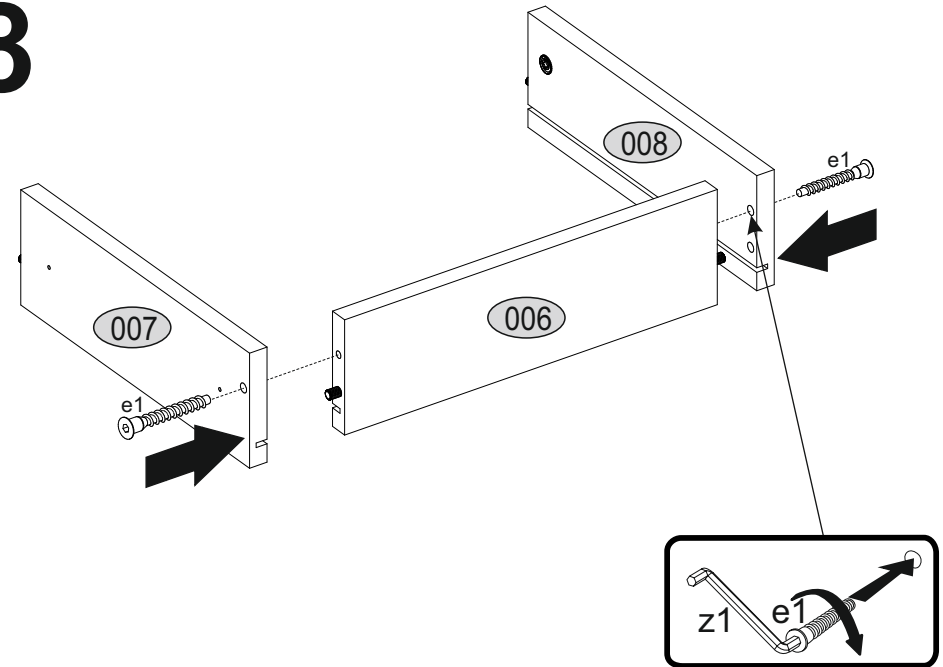
# 6



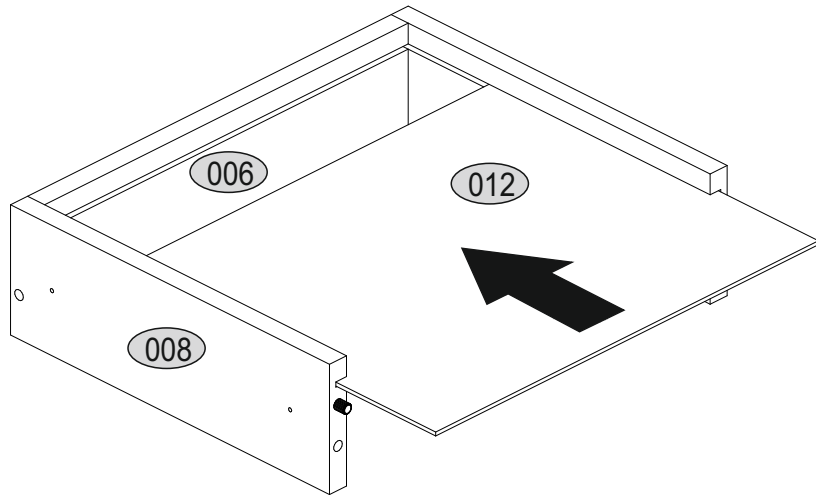
# 7



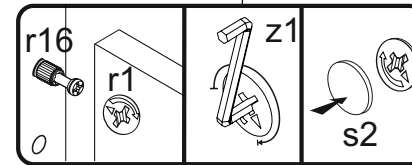
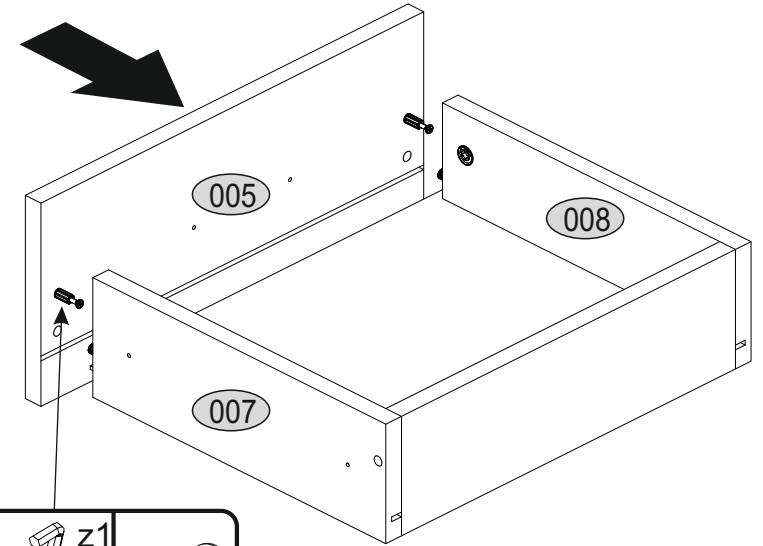
# 8



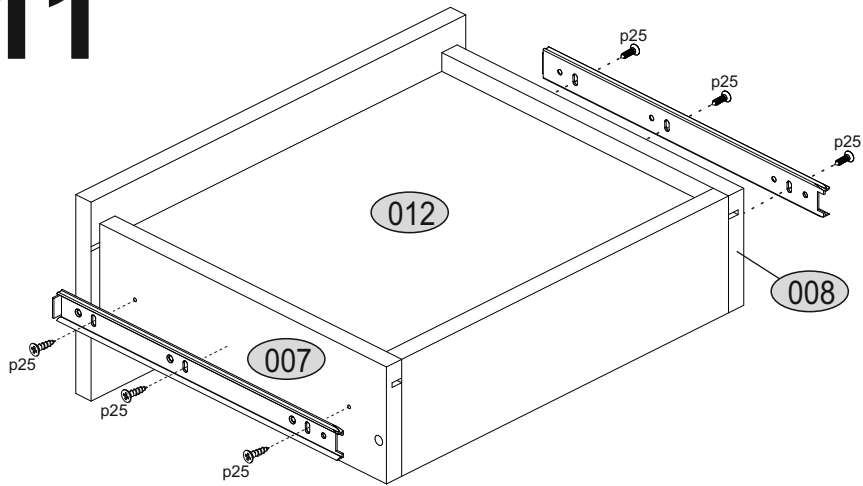
# 9



# 10



# 11



# 12

